

BROILER BEDDING

PRODUCT DESCRIPTION

Spanvall Broiler Bedding is a mixture of wood shavings and plant fibre. The particle size is a unique composition, and the product has been sieved several times in order to obtain an optimal absorption ability. The moisture level in the bedding has been precisely examined, making it an exceptional fresh bedding with a controlled degree of humidity.



100 % dust free
(controlled degree of moisture)

High absorption of ammonia

Reduces heavy pad scorch

High animal welfare

Reduces breast blister

High absorbency capacity (approx. 7-8 times its own weight)

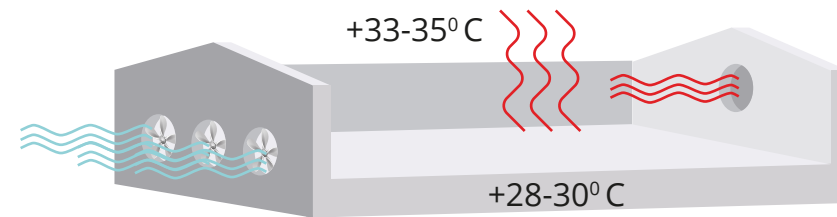


PREPARATION

- 1 Clean and disinfect the house

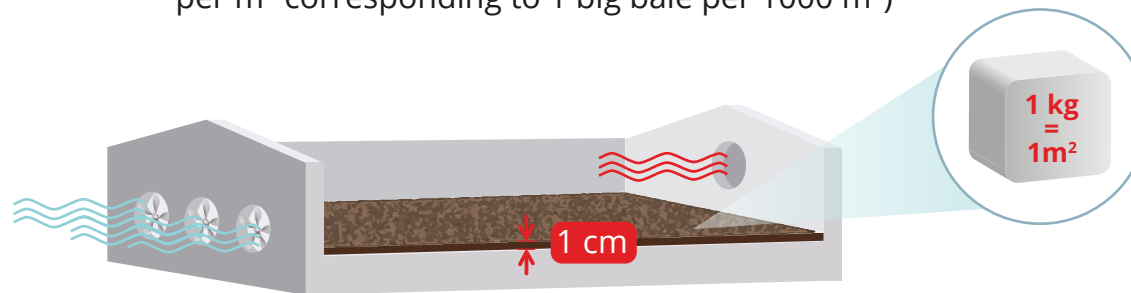


- 2 Pre-heat the house 12-24 hours before the chicks are inserted (floor temperature is minimum 28-30 degrees Celsius)



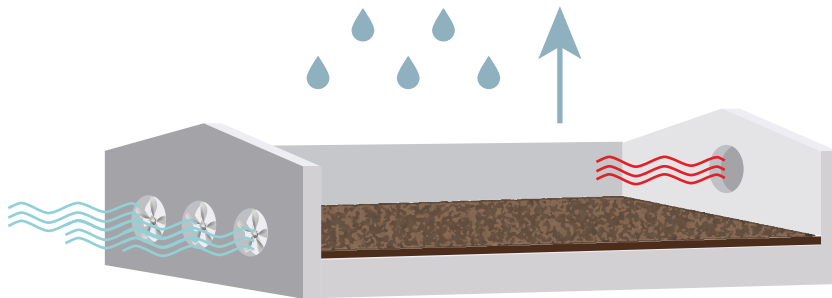
HOW TO USE

- 3 Spread 1 cm layer of the bedding (approx. 1 kg per m² corresponding to 1 big bale per 1000 m²)

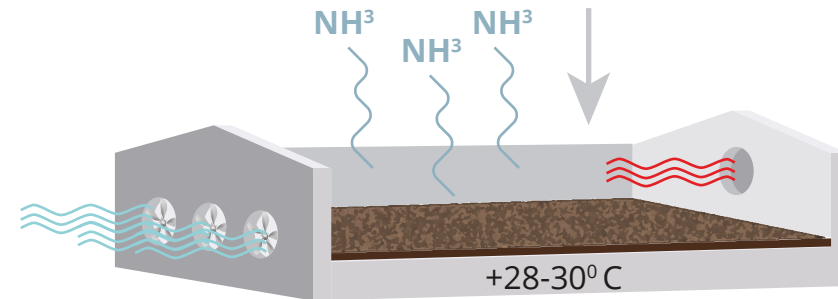


ROTATION

4 Humidity is emitted to the air



5 Absorption of ammonia

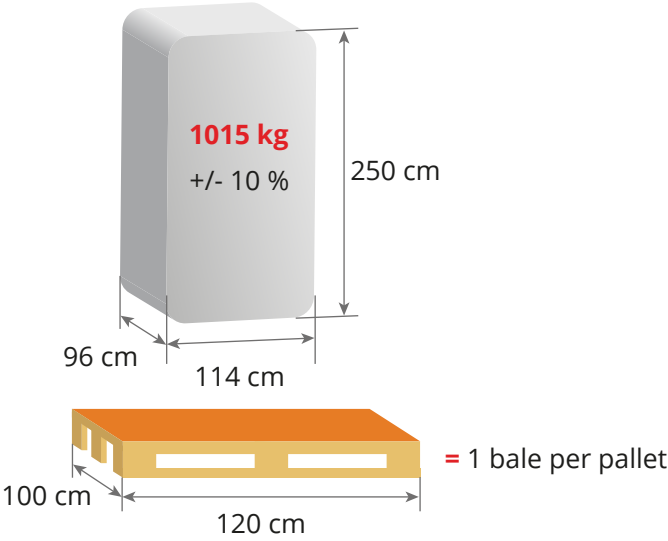


BROILER CLIMATE SETTINGS

Age days	Temperature Celsius	Maximum humidity	Minimum ventilation M ³ /h/10.000 broilers (co ²)
0	34-35	50%	600 (2000)
7	30	50%	1700 (2000)
14	28	55%	3600 (2500)
21	26	55%	6000 (3000)
28	23	60%	8000 (3000)
35	21	65%	10.000 (3000)
42	19	65%	12.000 (3000)

LOGISTICS

BIG BALE

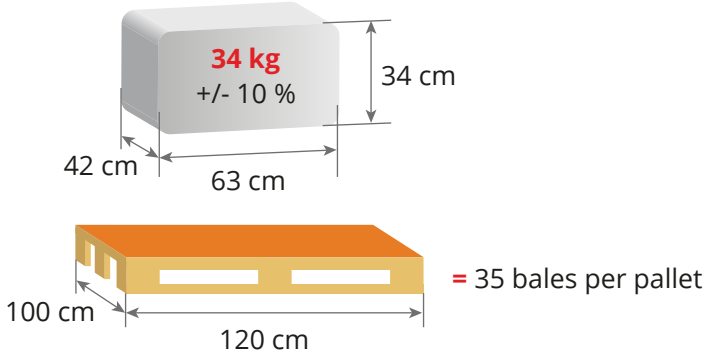


40'HC CONTAINER



TENT TRUCK

SMALL BALE



40'HC CONTAINER



TENT TRUCK

