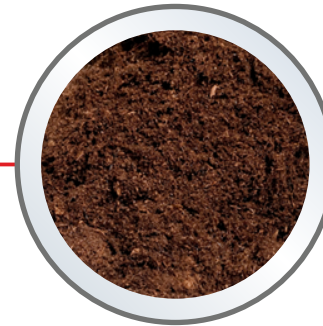


SPANVALL PLANT FIBRE

PRODUCT DESCRIPTION

Plant fibre bedding is environmentally friendly and stay fresh for a long time. The pH value is low which means that it is gentle on the horse's hooves and reduces the risk of thrush, and just like it helps to bind ammonia odour. This leads to an improved stable climate without dust and odour nuisances. The bedding makes it a great choice for horses with respiratory challenges such as heaves or inflammatory airway disease. Plant fibre can be used together with all other types of bedding.



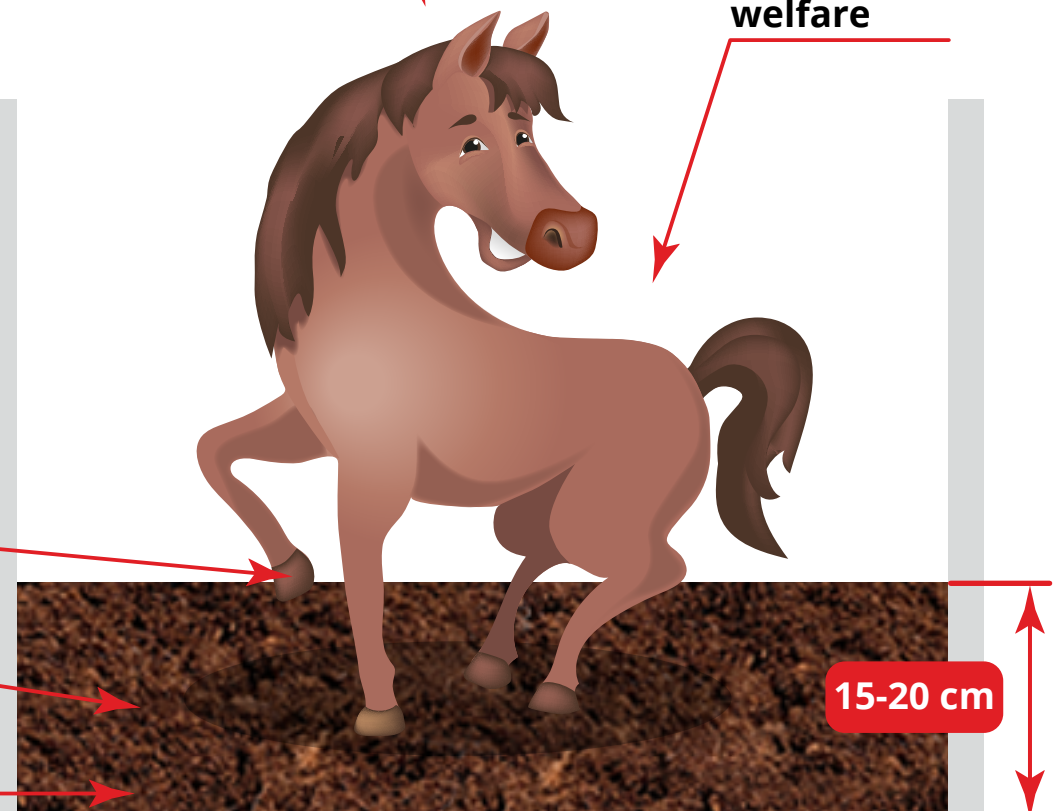
Suited for
allergic horses

High animal
welfare

Gentle on the
horse's hooves

Binds ammonia

High absorbency
capacity (approx. 10 x
its own weight)



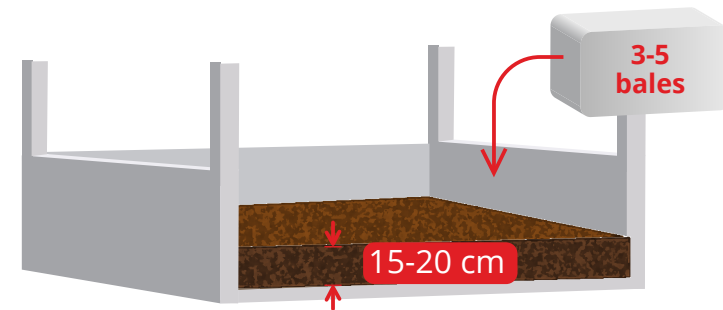
15-20 cm

HOW TO USE

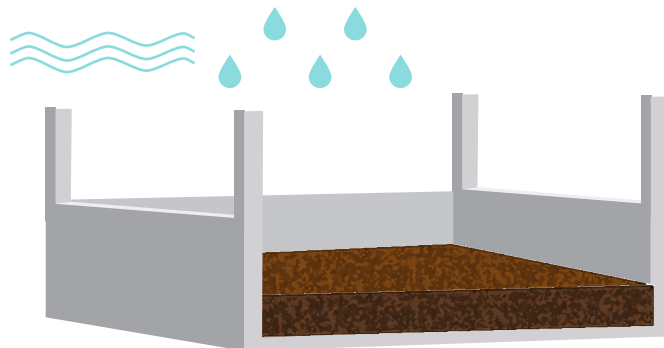
- 1 Clean and disinfect the box



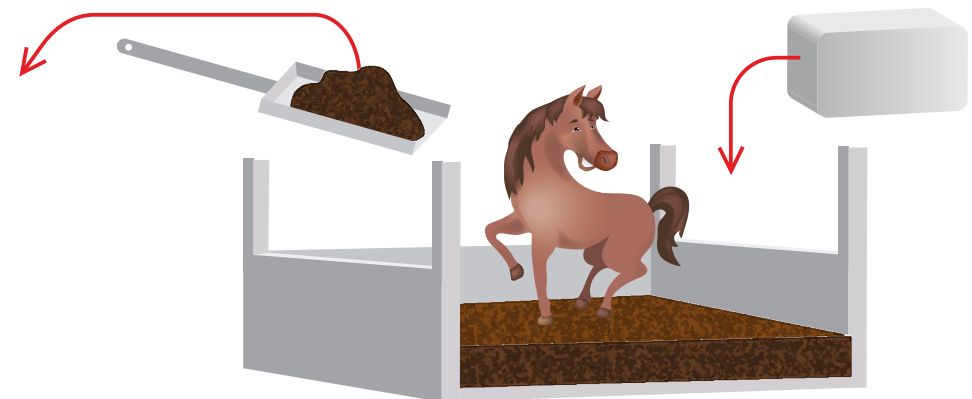
- 2 Spread five to seven bales of plant fibre evenly in each box (approx. 12 m²). An optimum mattress is approx. 15-20 cm



- 3 "Aerate" the plant fibre well, making it easier to spread (If very dry, the plant fibre can be watered - thus, activating the absorbency)

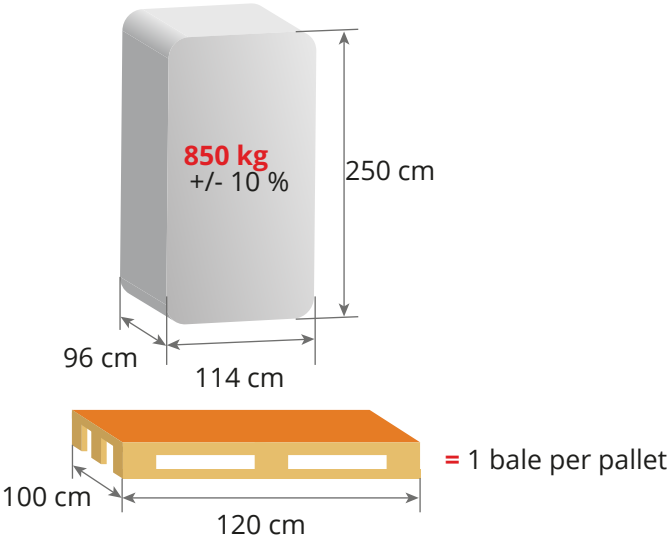


- 4 Remove horse droppings every day and wet stains as required and refill



LOGISTICS

BIG BALE



SMALL BALE

